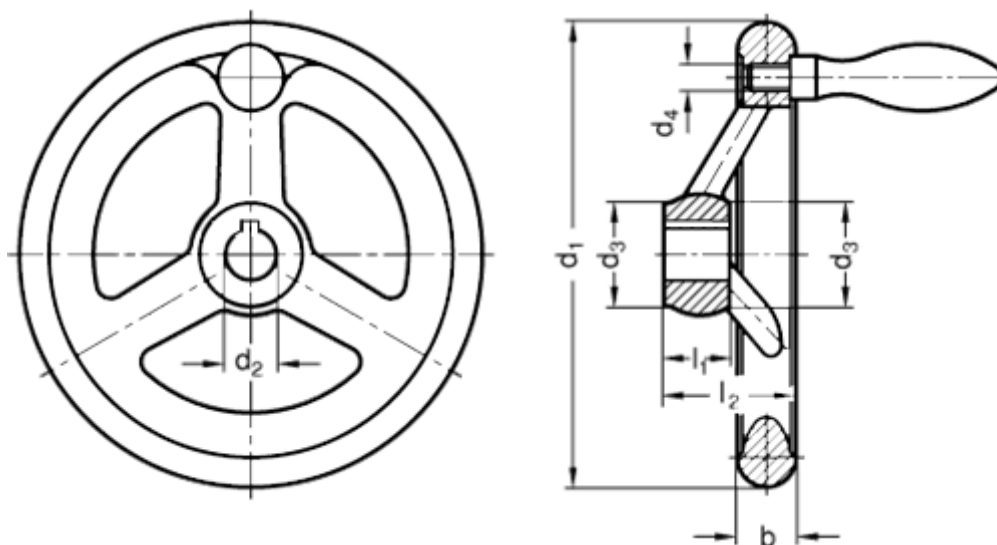


Article number: 201576314

Description: E+G Handwheel
GN 950.6-160-K14-F

Measures



$b_1 = 17.5$

$d_1 = 160$

$d_2 = 14$

$d_3 = 31.0$

$d_4 = M10$

$l_1 = 20$

$l_2 = 39.5$